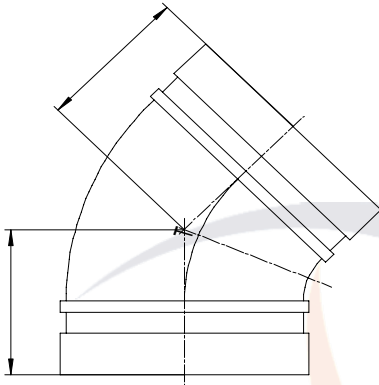


45° Elbow



Nominal Size mm/in	Pipe O.D mm/in	Working Pressure MPa/psi	Dimensions mm/in	
			L	
25 1	33.7 1.327	2.07 300		45
32 1¼	42.4 1.66	2.07 300		45
40 1½	48.3 1.9	2.07 300		45
50 2	60.3 2.375	2.07 300		50
65 2½	73 2.875	2.07 300	55	62
65 2½	76.1 3	2.07 300	55	62
80 3	88.9 3.5	2.07 300	55	64
100 4	108 4.252	2.07 300	60	76
100 4	114.3 4.5	2.07 300	60	76
125 5	133 5.25	2.07 300	70	83
125 5	139.7 5.5	2.07 300	70	83
125 5	141.3 5.563	2.07 300	70	83
150 6	159 6.26	2.07 300	70	89
150 6	165.1 6.5	2.07 300	70	89
150 6	168.3 6.625	2.07 300	70	89
200 8	216.3 8.516	2.07 300	90	108
200 8	219.1 8.625	2.07 300	90	108
250 10	267.4 10.528	2.07 300		121
250 10	273 10.75	2.07 300	110	121
300 12	318.5 12.539	2.07 300		133
300 12	323.9 12.75	2.07 300	120	133
350 14	355.6 14	2.07 300		122
350 14	377 14.84	2.07 300		122
400 16	406.4 16	2.07 300		184
400 16	426 16.77	2.07 300		184
450 18	457.2 18	2.07 300		203
450 18	480 18.9	2.07 300		203
500 20	508 20	2.07 300		229
600 24	609.6 24	2.07 300		280